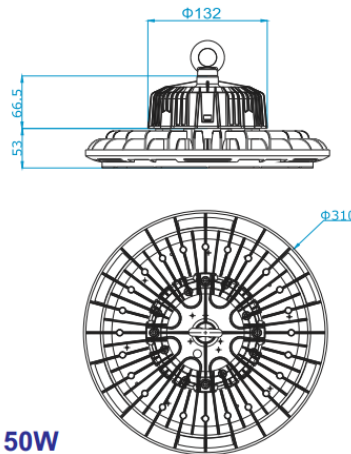


# Round UFO LED High Bay Lamp 150W



Input Voltage	Max. Current	Operating Voltage	Constant Current	Power Consumption	Power Factor	
AC200-240V	0.75A	DC114V	1.2A	150W	≥0.95	
LED Type	LED Q'ty	CRI	CCT			
			2900-3100K	4000-4500K	5500-6000K	
SMD3030	209PCS	≥80Ra	Luminous efficiency	140LM/W	150LM/W	150LM/W
			Luminous flux	21000LM	22500LM	22500LM
			Beam Angle	120° or 90°		
Life Time	Certifications	IP Code	Luminaires Class	product dimension	N.W	
50,000Hours	CE, RoHS	IP65	Class I	Φ310*113mm	3.2Kg	
Operating Temperature	Storage Temperature	Humidity Operating	Humidity Storage	Packing dimension	G.W	
-20℃to+50℃	-30℃to+60℃	10-80%RH	10-90%RH	L390*W390*H170mm	4.2Kg	
Outer carton package	3*1layer=3PCS/carton, K=K corrugated paper, L410*W410*H555mm, GW:14.6KG					
Optional dimming type	1-10V dimming					

## Test report

