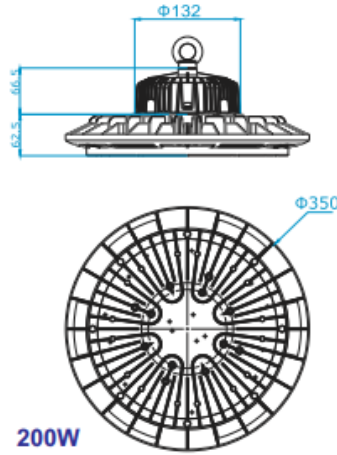


Round UFO LED High Bay Lamp 200W



200W



200W

Input Voltage	Max. Current	Operating Voltage	Constant Current	Power Consumption	Power Factor	
AC200-240V	1.0A	DC120V	1.55A	200W	≥0.95	
LED Type	LED Q'ty	CRI	CCT	2900-3100K	4000-4500K	5500-6000K
			Luminous efficiency	140LM/W	150LM/W	150LM/W
			Luminous flux	2800LM	3000LM	3000LM
			Beam Angle	120° or 90°		
Life Time	Certifications	IP Code	Luminaires Class	product dimension	N.W	
50,000Hours	CE,RoHS	IP65	Class I	Φ350*120mm	3.7Kg	
Operating Temperature	Storage Temperature	Humidity Operating	Humidity Storage	Packing dimension	G.W	
-20℃to+50℃	-30℃to+60℃	10-80%RH	10-90%RH	L430*W430*H170mm	4.7Kg	
Outer carton package	3*1layer=3PCS/carton,K=K corrugated paper, L450*W450*H555mm,GW:16.1KG					
Optional dimming type	1-10V dimming					

Test report

